



Part number
CQF 05



Brief description:

female insert, 5 poles + PE, crimp connections, 16A, 400V, 4kV, 3, size "21.21", CLASS insert series

Product description		Approvals / Standards	
Model	female insert	Reference standard	EN 61984 (2001-11)
Version	crimp connections	Quality mark	 , EAC
Series	CQ	Conformity	CQC, CE
Product type	for female contacts 16A	General ordering information	
Family	CLASS inserts	EAN13 code	8015747037297
Size	size "21.21"	Tariff number	85369095
N. of poles	5 poles + 	Country of origin	Made in EU (IT)
Technical data		ETIM classification	EC000438
Current	16 A (A.C. and D.C.)	Packaging Information	
Voltage	230 - 400 V	Packaging length	210,00 mm
Rated impulse withstand voltage	4kV	Packaging height	130,00 mm
Pollution degree	3	Packaging width	240,00 mm
Operating temperature range (min, max)	-40°C ... +125°C	Packaging weight	3,10 kg
Mating cycles	≥ 500	Packaging volume	6,55 dm ³
IP degree of protection	IP20 without enclosure, IP44/IP66/IP67/IP68 and IP69 with enclosure	Packaging description	Carton box
Further technical details		Packaging quantity	200 Pcs
Characteristics according to EN 61984	16A 230/400V 4kV 3; 16A 320/500V 4kV 2	Packaging EAN code	8015747208918
Insulation resistance	≥ 10 GΩ	Sub-packaging length	197,00 mm
Rated voltage according to UL/CSA	600V	Sub-packaging height	35,00 mm
UL 94 flammability rating	V-0	Sub-packaging width	113,00 mm
Weight	14,75 g	Sub-packaging weight	0,62 kg
		Sub-packaging volume	0,78 dm ³
		Sub-packaging description	Carton
		Sub-packaging quantity	40 Pcs
		Sub-packaging EAN barcode	8015747037303

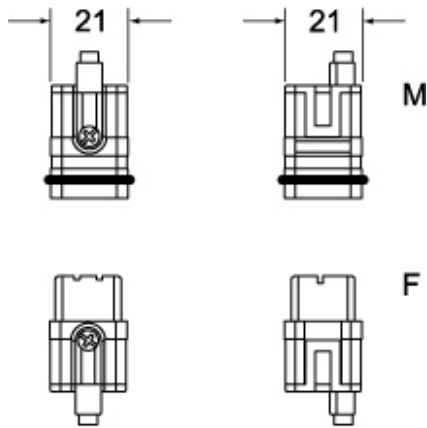
Part number

CQF 05

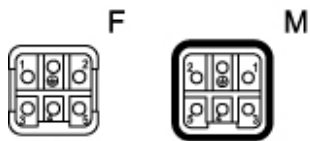


Catalogue drawings

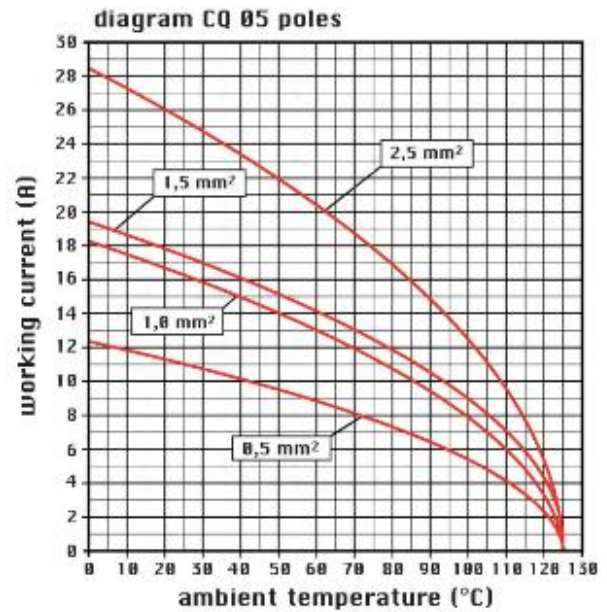
CQM 05



CQF 05



Catalogue drawings



Notes

Inserts CQF-M 05:

- enclosures: size "21.21":
 - insulating type
 - metallic type
- W-TYPE aggressive environments
- EMC
- IP68
- rated voltage according to UL/CSA: 600V
- insulation resistance: > 10 GOhm
- ambient temperature limit: -40°C ... +125°C
- are made of self-extinguishing thermoplastic resin UL 94 V0
- mechanical life: > 500 cycles
- contact resistance: < 1 mOhm